

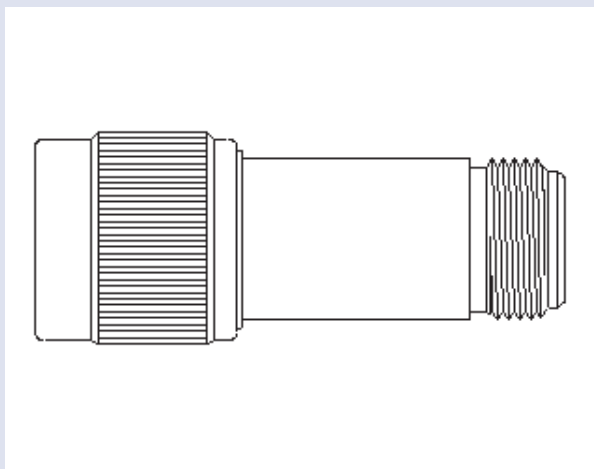


MELCOM ELECTRONICS LIMITED

18 GHz N Fixed Attenuator, 2 Watt

Low VSWR

Durable Stainless Steel Construction



Applicable Markets

- Defence
- Aerospace
- Communications

RoHS Compliant

Specifications

Electrical:

Freq. Range: DC -18 GHz

VSWR:

DC-4 GHz:	1.15:1 Max
4-8 GHz:	1.20:1 Max
8-12.4 GHz:	1.25:1 Max
12.4-18 GHz:	1.35:1 Max

Attenuation Accuracy:

0-6 dB:	+/-0.3 dB
7-20 dB:	+/-0.5 dB
21-30 dB:	+/-0.75 dB

Power (Ave): 2 Watts @ 25 °C

Power (Peak): 250 Watts

Impedance: 50 Ohms

Operating Temp Range: -54 to +125 °C

Mechanical:

Size: Length: 1.78" Max

Connectors / Body: Passivated Stainless Steel

Center Conductor: Gold Plated Beryllium Copper

Ordering Information

P/N: AN18-2R-XX (XX=00,12,15,20,30 dB). Other dB Values available upon request.

www.melcom.co.uk/melcom.html

Elliott House, Gogmore Lane, Chertsey, Surrey KT16 9AP, UK

Tel: +44 (0)1932 565544 Fax: +44 (0)1932 569988

E-mail: melcomsales@melcom.co.uk