

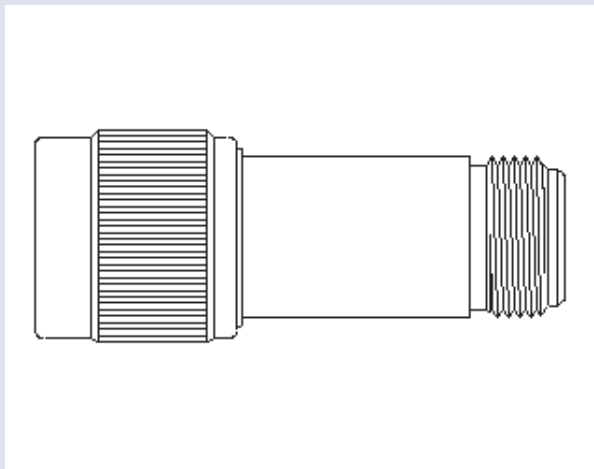


MELCOM ELECTRONICS LIMITED

18 GHz Type N DC Block, Inner

Excellent Electrical Specifications

Small Size



Specifications

Electrical:

Freq. Range:	10 MHz –18 GHz
VSWR:	1.35:1
Insertion Loss:	0.6 dB Max
Voltage:	200 Volts Max @ 25 °C
Power (Ave):	2 Watts
Impedance:	50 Ohms
Operating Temp Range:	-54 to +125 °C

Mechanical:

Size:	Length: 1.78" Max
	Body Dia: 0.63" Max
Connectors / Body:	Passivated Stainless Steel
Center Conductor:	Gold Plated Beryllium Copper

Applicable Markets

- Defence
- Aerospace
- Communications

RoHS Compliant

Ordering Information

P/N: BN18-02R-18. Other dB Values available upon request.

www.melcom.co.uk/melcom.html

Elliott House, Gogmore Lane, Chertsey, Surrey KT16 9AP, UK

Tel: +44 (0)1932 565544 Fax: +44 (0)1932 569988

E-mail: melcomsales@melcom.co.uk