

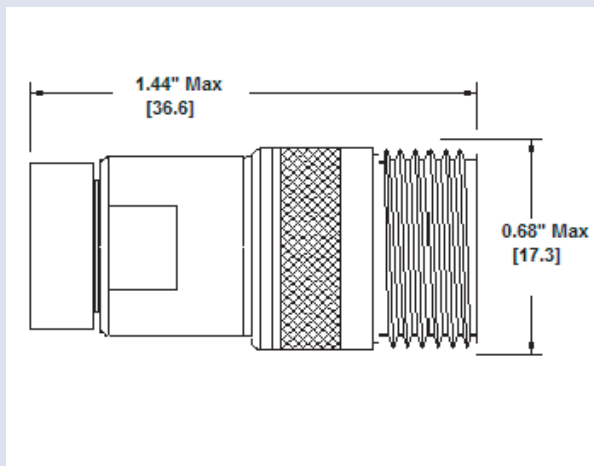


MELCOM ELECTRONICS LIMITED

18 GHz N Female Termination

Low VSWR

Durable Stainless Steel Construction



Specifications

Electrical:

Freq. Range:	DC –18 GHz
VSWR:	
DC-12.4 GHz:	1.15:1
12.4-18 GHz:	1.20:1
Input Power:	2 Watt @ 25 °C
Peak Power:	500 watts (10% DC, 10usec)
Impedance:	50 Ohms
Operating Temp Range:	-65 to +125 °C

Mechanical:

Size:	Length:	1.44" [36.6] Max
	Dia:	0.68" [17.3] Max
Materials/Finish:		
	Body:	Passivated Stainless Steel
	Contact:	Gold Plated Beryllium Copper

Applicable Markets

- Defence
- Aerospace
- Communications

RoHS Compliant

Ordering Information

P/N: TNF18-02

www.melcom.co.uk/melcom.html

Elliott House, Gogmore Lane, Chertsey, Surrey KT16 9AP, UK

Tel: +44 (0)1932 565544 Fax: +44 (0)1932 569988

E-mail: melcomsales@melcom.co.uk

Rev: A1 100506