

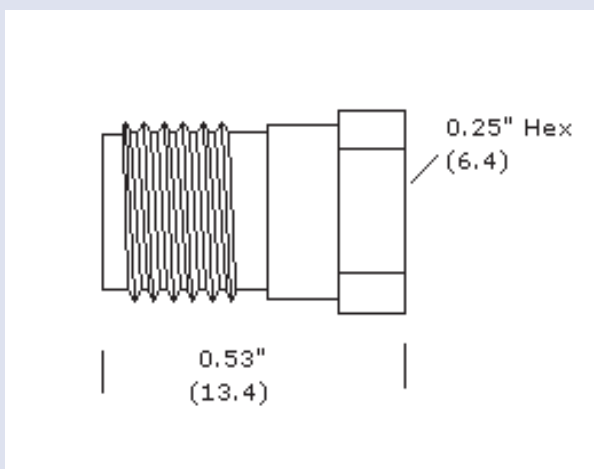


MELCOM ELECTRONICS LIMITED

18 GHz SMA Female Termination

Low VSWR

Durable Stainless Steel Construction



Specifications

Electrical:

| | |
|-----------------------|----------------------------|
| Freq. Range: | DC -18 GHz |
| VSWR: | |
| DC-4 GHz: | 1.05:1 |
| 4-12.4 GHz: | 1.15:1 |
| 12.4-18 GHz: | 1.20:1 |
| Input Power: | 1 Watt @ 25 °C |
| Peak Power: | 200 watts (10% DC, 10usec) |
| Impedance: | 50 Ohms |
| Operating Temp Range: | -65 to +125 °C |

Mechanical:

| | |
|-------------------|---------------------------------------|
| Size: | Length: 0.53" Typical |
| | Body Dia: 0.25" Hex Typical |
| Materials/Finish: | |
| | Body: Gold Plated Stainless Steel |
| | Contact: Gold Plated Beryllium Copper |

Applicable Markets

- Defence
- Aerospace
- Communications

RoHS Compliant

Ordering Information

P/N: TSF18-01

www.melcom.co.uk/melcom.html

Elliott House, Gogmore Lane, Chertsey, Surrey KT16 9AP, UK

Tel: +44 (0)1932 565544 Fax: +44 (0)1932 569988

E-mail: melcomsales@melcom.co.uk

Rev: A1 091506