

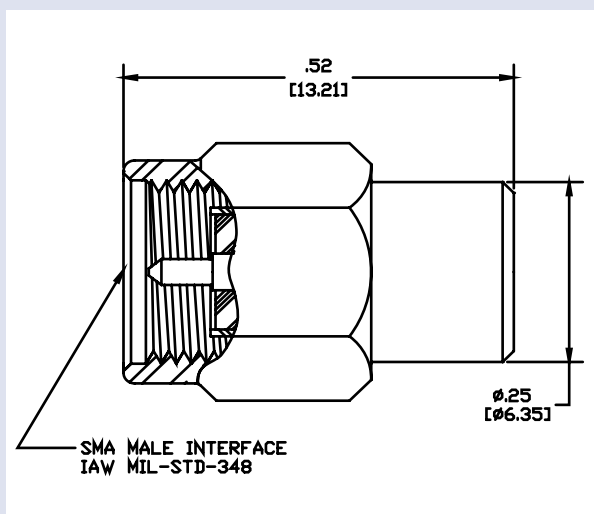


MELCOM ELECTRONICS LIMITED

4 GHz SMA Male Termination

Low VSWR

Durable Stainless Steel Construction



Applicable Markets

- Defence
- Aerospace
- Communications

RoHS Compliant

Specifications

Electrical:

Freq. Range:	DC -4 GHz
VSWR:	
DC-4 GHz:	1.10:1
Input Power:	1 Watt @ 25 °C
Peak Power:	200 watts (10% DC, 10usec)
Impedance:	50 Ohms
Operating Temp Range:	-65 to +125 °C

Mechanical:

Size:	Length: 0.52"
	Body Dia: 0.312" Hex/ Ø0.250"

Materials/Finish:

Body:	Gold Plated Stainless Steel
Nut:	Passivated Stainless Steel
Contact:	Gold Plated Beryllium Copper

Ordering Information

P/N: TSM04-01

www.melcom.co.uk/melcom.html

Elliott House, Gogmore Lane, Chertsey, Surrey KT16 9AP, UK

Tel: +44 (0)1932 565544 Fax: +44 (0)1932 569988

E-mail: melcomsales@melcom.co.uk

Rev: A1 091506