

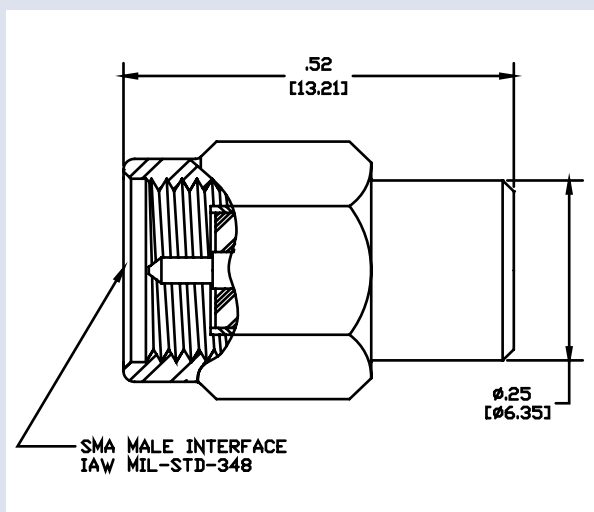


MELCOM ELECTRONICS LIMITED

# 18 GHz SMA Male Termination

Low VSWR

Durable Stainless Steel Construction



## Specifications

### Electrical:

Freq. Range:	DC -18 GHz
VSWR:	
DC-4 GHz:	1.05:1
4-12.4 GHz:	1.15:1
12.4-18 GHz:	1.20:1
Input Power:	1 Watt @ 25 °C
Peak Power:	200 watts (10% DC, 10usec)
Impedance:	50 Ohms
Operating Temp Range:	-65 to +125 °C

### Mechanical:

Size:	Length: 0.52"
	Body Dia: 0.312" Hex/ Ø250
Materials/Finish:	
	Body: Gold Plated Stainless Steel
	Nut: Passivated Stainless Steel
	Contact: Gold Plated Beryllium Copper

## Applicable Markets

- Defence
- Aerospace
- Communications

RoHS Compliant

## Ordering Information

P/N: TSM18-01

[www.melcom.co.uk/melcom.html](http://www.melcom.co.uk/melcom.html)

Elliott House, Gogmore Lane, Chertsey, Surrey KT16 9AP, UK

**Tel: +44 (0)1932 565544 Fax: +44 (0)1932 569988**

**E-mail: [melcomsales@melcom.co.uk](mailto:melcomsales@melcom.co.uk)**

Rev: A1 091306