

THE PERFORMANCE LEADER IN MICROWAVE CONNECTORS



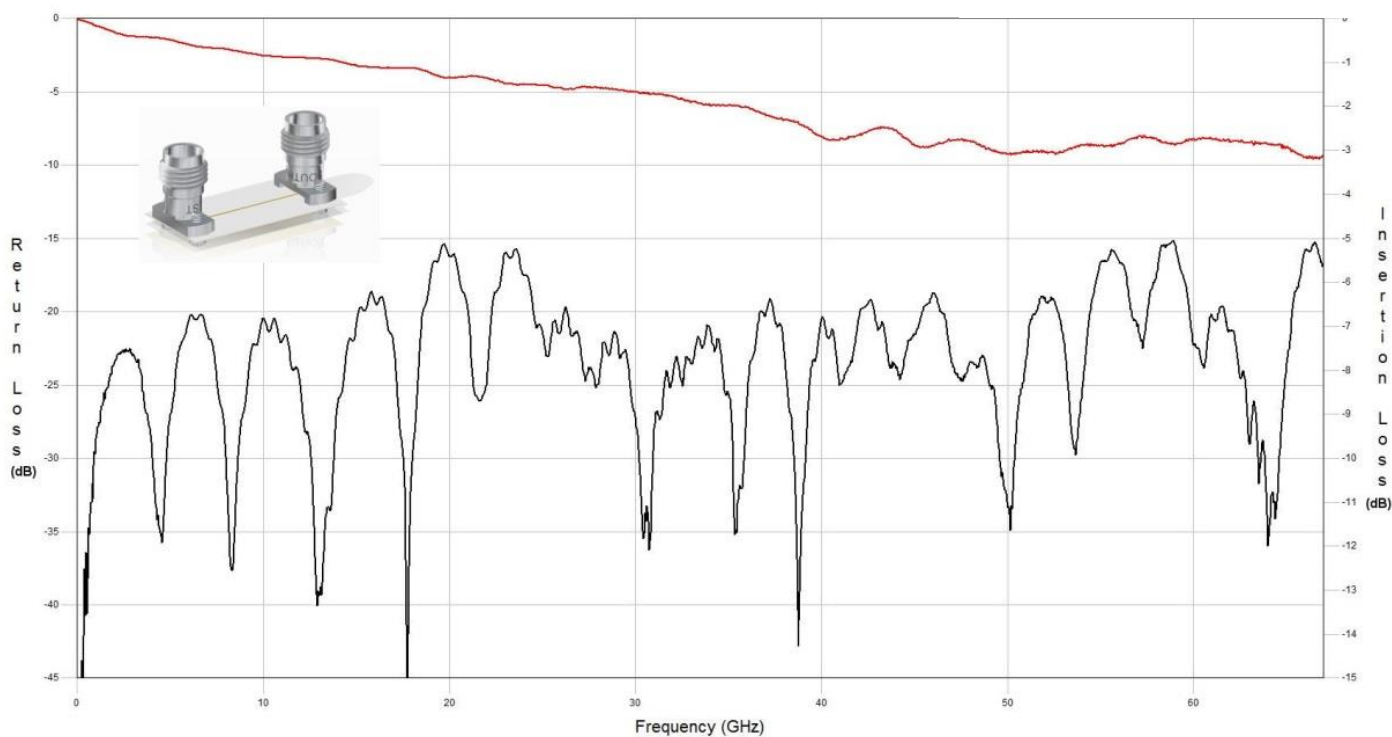
1.85 mm (V) DC to 67 GHz PCB Compression Mount Connector

FEATURES:

- 67 GHz BANDWIDTH
- EASY TO USE
- ASSURE OPTIMAL SIGNAL INTEGRITY
- WORKS WITH MICROSTRIP OR GCPW
- NO SOLDERING REQUIRED
- THREADED FLANGE
- ROBUST AND REUSABLE
- LAUNCH DESIGN ASSISTANCE



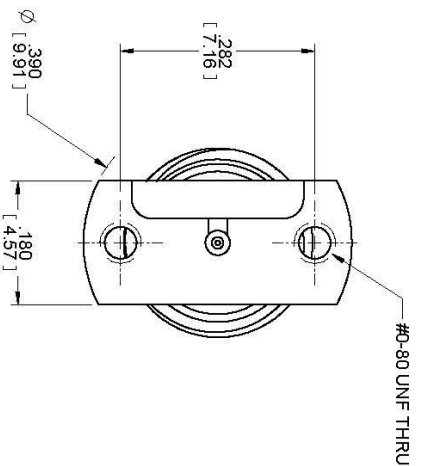
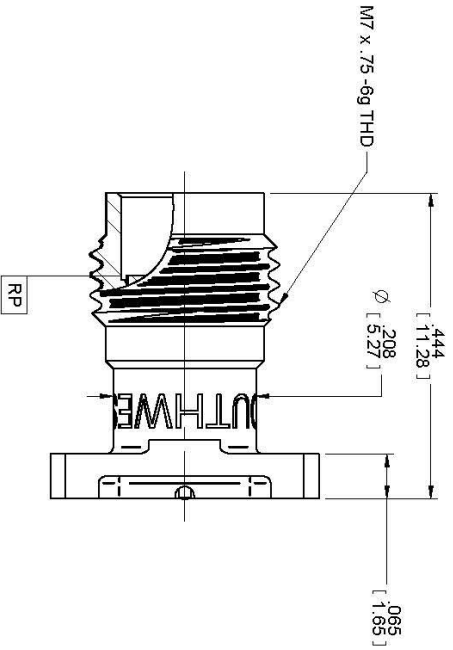
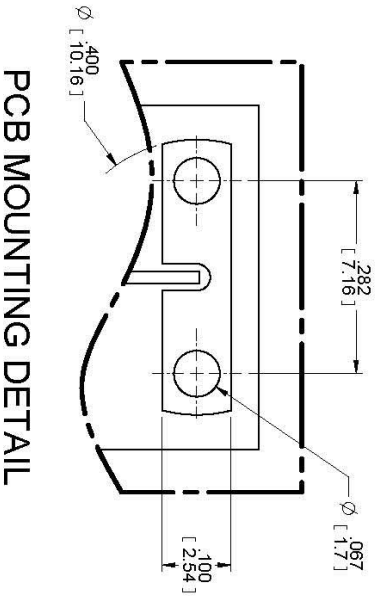
Part Number 18359-001J
Test board not included



Data includes two 18359-001J connectors & 8 mil thick 1.0" long RO4003 test board

MODEL No.:
18359-001 J



NOTE: Information herein is believed by Southwest Microwave, Inc. to be accurate. However, Southwest Microwave assumes no responsibility for any omissions or errors or inaccuracies for its use or for any infringements of patents or other rights of third parties that may result from its use. Data is intended for informational purpose only and does not constitute a contract of sale or any express or implied warranty, including any warranty of merchant ability or fitness for a particular purpose.



| | |
|------------------|---|
| HOUSING: | STEEL, CRES ALLOY UNS-30300 PER ASTM A582 PASSIVATED PER ASTM A967-99 |
| CONTACT: | BeCu UNS-C17300 PER ASTM B196/197 GOLD PLATE PER MIL-DTL-45204 |
| CAPTURE BEAD: | ULTEM 1000 PER ASTM D5205 |
| ITEM | MATERIAL & FINISH |

| | |
|---------------------|-------------|
| SPECIFICATIONS | TBD |
| INTERFACE | 91R58312 |
| SPECIFICATION GROUP | DRAWING NO. |

1. ALL DIMENSIONS ARE IN INCHES. ALL ANGLES ARE IN DEGREES. DIMENSIONS SHOWN IN BRACKETS [XXX] ARE IN MILLIMETERS.
NOTES: UNLESS OTHERWISE SPECIFIED.

| | | | | | | |
|---|-------------------|--------------|-------------------|----------------------|-------------|------------|
| REV X0 | PROTOTYPE RELEASE | APPRVD DE | DATE: 01/23/18 | TITLE | 18359-001 J | REV. X0 |
| Southwest Microwave, Inc. 9055 South McKerny Street Tempe, Arizona 85284-2946 Telephone (480) 783-0201 Fax (480) 783-0360 | | | | 1.85 J 2H VRT LAUNCH | | |
|  | | | | DWG. NO. | | |
|  | | | | 79R68422 | | |
| DRN BY: JW | | | | DATE: 01/23/18 | | |
| SCALE: 4:1 | | | | SHEET: 1 OF 1 | | |