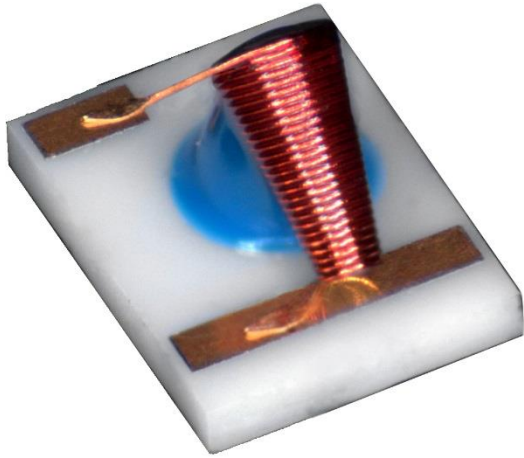
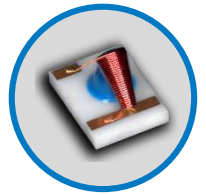




CCM Broadband Conical Inductor



- Substrate Mounted For Chip & Wire Applications
- Broadband performance to 40 Ghz
- Integrated 50Ω Microstrip
- Low Insertion Loss -.35 dB
- Perfect for Bias Tee Applications

CCM Conical Inductor Specification

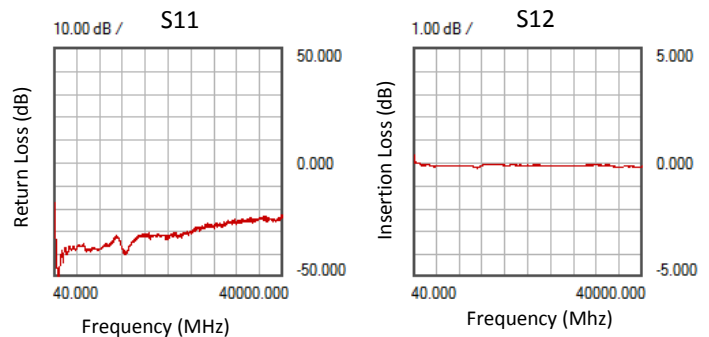
Part Number	L (uH)	I max (mA)	Upper Freq. Limit (GHz) Typ.	Return Loss (dB) Typ.	Insertion Loss (dB) Typ.	Q Typ. @ 10 MHz	DCR Typ (Ohms)	Wire Size (AWG)	Foot Print (L x W) Inch	Figure
CCM19T40-002	.220	700	30	-26	-.35	25-30	.180	40	.080 x .110	A
CCM36T44-001	.600	300	40	-26	-.35	20-25	.650	44	.080 x .110	A
CCM45T47-001	.840	160	40	-26	-.35	25-30	1.60	47	.080 x .110	A
CCM50T40-001	1.65	400	30	-26	-.35	25-30	.625	40	.150 x .200	B
CCM65T42-001	2.85	300	40	-26	-.35	30-35	1.25	42	.150 x .200	B
CCM82T44-001	6.70	180	40	-26	-.35	25-30	2.83	44	.150 x .200	B
CCM110T47-001	8.00	100	40	-26	-.35	25-30	6.55	47	.150 x .200	B

Custom Conical Assemblies available upon request - Contact Piconics for more info.
S-Parameters available @ www.piconics.com/conical-inductors

Environmental:

Operating Temp.	-55°C to +155°C
Storage Temp.	-55°C to +155°C
RoHS Compliant	Yes
Outgas	Meets ASTM E595 (Special Epoxy Required)
FIT Rate	34 SR-332
MSL Rating	1
MTBF	29,695,225 Hours

Frequency Response:



www.piconics.com

ISO 9001:2008

Established 1963

26 Cummings Road | Tyngsboro, MA 01879 | P: 978-649-7501 | sales@piconics.com



Mechanicals:

Not Drawn To Scale
 Dimensions in Inches

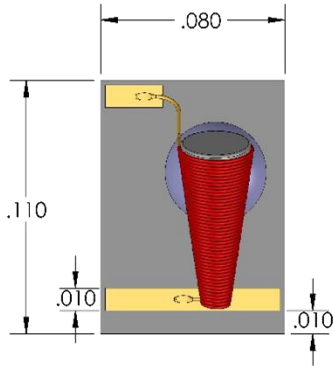


Figure A

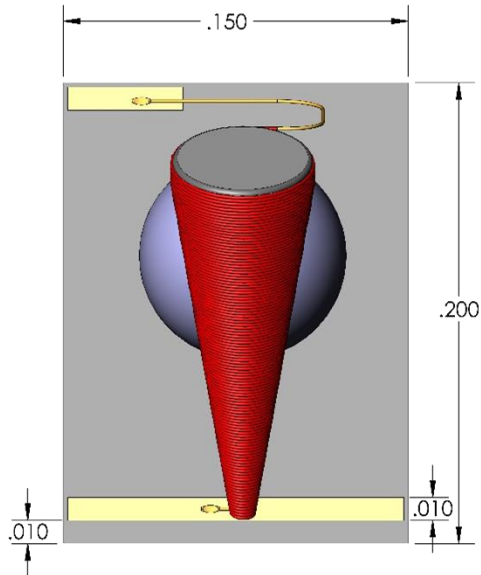
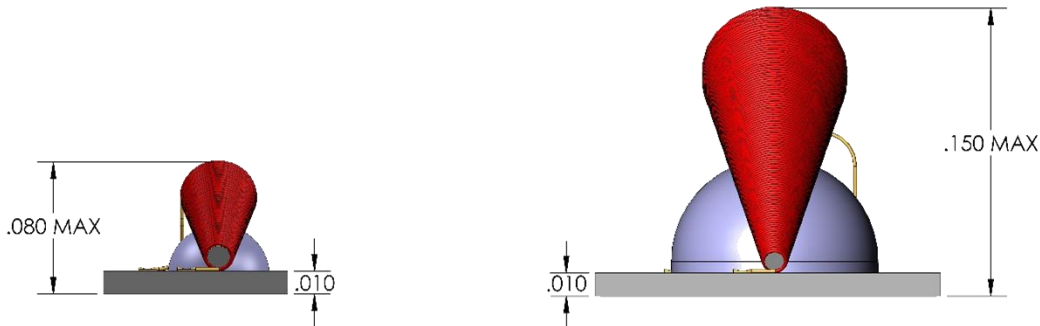


Figure B



Substrate:

Material	99.6 % Alumina
Metallization – Front side	TiW/Au/Ni/Au
Metallization - Backside	TiW/Au/Ni/Au

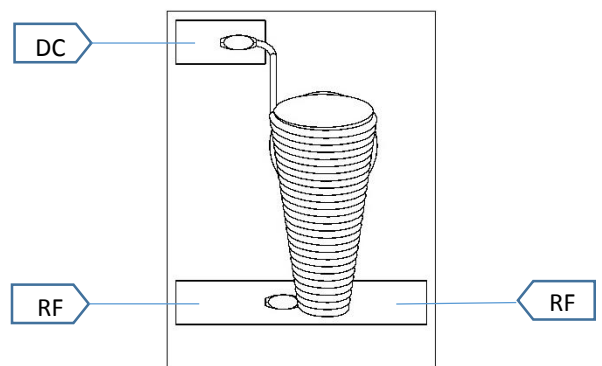
Packaging:

Package Type	Gel Pak
Quantity / Pack	50

Notes:

1. L & Q are measure on an HP 4286A Rf Impedance Analyzer using probes.
2. Idc Max is the DC current at which the device sees a 100°C temperature rise over an ambient temperature of 25°C.
3. Please see "Conical Frequency Range Measurement Document" to see process for determining the inductors frequency range.

Mounting:



Wire Bond For Connection