



This switching unit is required for automatic redundancy switching of L-Band signals in the frequency range 900 ... 1500 MHz.

### Design

The unit is housed in a 19" subrack with very good RF shielding and consists of the following sub-assemblies:

- solid-state switches DPDT
- attenuators, fix and programmable
- amplifiers
- control logic
- redundant power supply modules
- LAN interface
- mimic with manual control

All the necessary signal and power supply connections as well as the mains switches are provided at the rear.

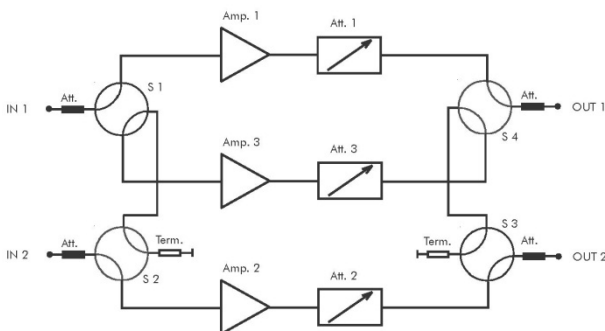
### Control

The unit is controlled via a LAN interface. Gain setting and selection of the RF path could be also done manually on the front panel.

### Special features

A status string can also be requested at any time via the control interface.

The unit is constructed using a modular approach utilising plug-in sub-assemblies which enable ease of installation and maintenance.



Technical data	measured a 25° C
<b>Model number:</b>	GTS5633
<b>Item number:</b>	1200182
<b>Configuration:</b>	2:1 redundancy, consisting of 4 switches DPDT 4 attenuators 3 dB 3 programmable attenuators 3 amplifiers
RF specifications	
<b>Impedance (Ohm):</b>	50
<b>Frequency range (MHz):</b>	900...1500
<b>Gain (dB):</b>	20 adjustable 0...20 dB, 1dB steps +/-0.5 max.
<b>Gain flatness (dB):</b>	10 dB max. at max. gain
<b>Noise figure (dB):</b>	1.4 : 1 max., 1.3 : 1 typ.
<b>VSWR:</b>	50 min., 60 typ.
<b>Isolation (dB):</b>	+5 max. at gain 20 dB +15 max. at gain 0...-10 dB
<b>Input power (dBm):</b>	+20 at gain 20 dB, output +10 max. at gain 0 dB, output
<b>P1 dBc (dBm):</b>	10 max. (without PC time)
<b>Switching time (ms):</b>	
Further specifications	
<b>Control:</b>	LAN
<b>Manual control:</b>	
<b>Gain setting</b>	up/down push buttons & display
<b>Switch via mimic</b>	push buttons with LED to show signal flow
<b>RF connectors:</b>	
<b>Inputs</b>	SMA female
<b>Outputs</b>	N female
<b>Power supply (Vac, Hz):</b>	80...264, 47...63, redundant
<b>Connector</b>	3-pin, with mains filter & fuses
<b>Mains switches:</b>	integrated in the power supplies
<b>Temperature range (°C):</b>	
<b>Operating</b>	0...50
<b>EMC:</b>	in accordance to Eur. standard EN 61000-6-1 & EN 61000-6-3
<b>Dimensions:</b>	
<b>Height (RU)</b>	1
<b>Width (inch)</b>	19
<b>Depth (mm)</b>	about 380 (without connectors & handles)
<b>Front panel:</b>	painted (RAL7021)