

Our patented 3 dB 90° Hybrid Couplers provide:

- Superior component performance starting at 3:1 Bandwidth.
- Thicker center boards for high power and increased repeatability.
- Bonded structures which eliminate any air gaps between substrates.
- More sections per bandwidth for better coupling flatness.
- Electrically shorter and physically smaller RF components.

Features:

High Power Wide Bandwidths Small Size Excellent Amplitude Balance

Electrical Specifications:

Frequency: 700 - 6000 MHz
 Power: 100 W CW
 Insertion Loss: 0.55 dB Max.
 VSWR: 1.40:1 Max.
 Phase Balance: $\pm 5^\circ$ dB Max.
 Amplitude Balance: ± 0.6 dB Max.
 Isolation: 16 dB Min.

Mechanical Specifications:

Type: Surface Mount
 Plating Options: QH10756-Ag: Immersion Silver (RoHS)
 Size: 0.744 x 0.450 x 0.093"

Port Configurations:

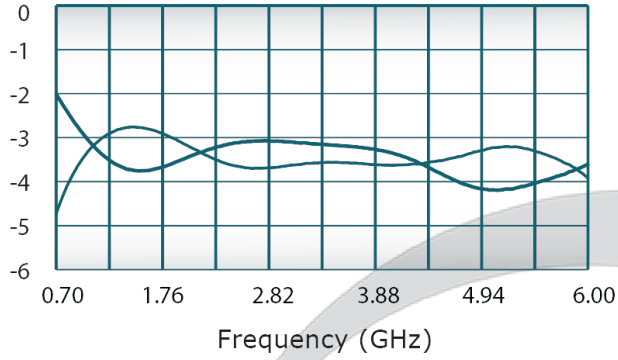
J1	J2	J3	J4
Input	-3 dB, 0°	-3 dB, -90°	Isolated
-3 dB, 0°	Input	Isolated	-3 dB, -90°
-3 dB, -90°	Isolated	Input	-3 dB, 0°
Isolated	-3 dB, -90°	-3 dB, 0°	Input

Werlatone's breakthrough technology allows us to build our existing line of Broadband 3 dB High Power 90° Hybrid Couplers. Connectorized 3 dB 90° Hybrid Coupler models are available with a choice of connectors. Several of our existing High Power 3 dB 90° RF Couplers are three port designs, wherein the difference port is internally terminated with a high power termination. This eliminates the need for a customer supplied external load for each Hybrid Coupler.

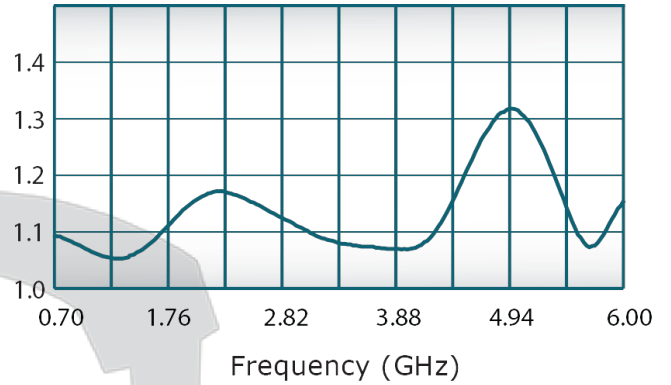


Performance Data (Specifications subject to change without notice):

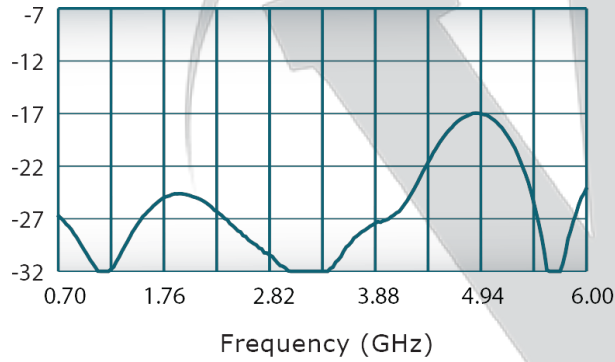
Coupling:



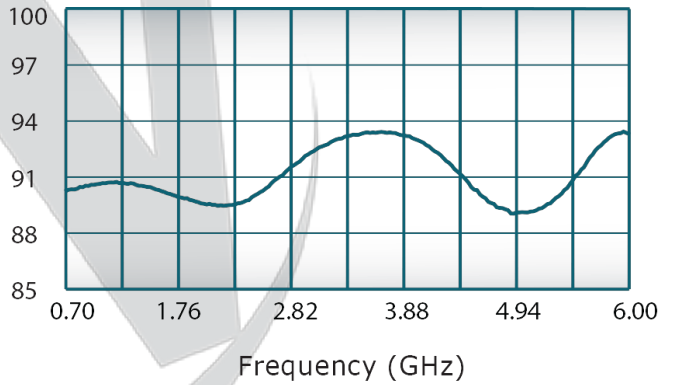
VSWR:



Isolation:

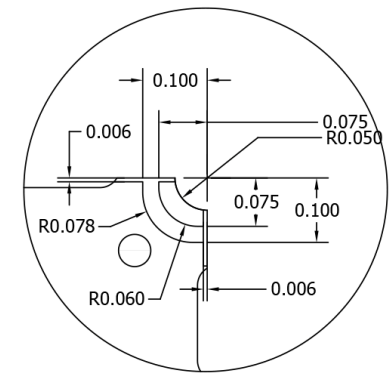
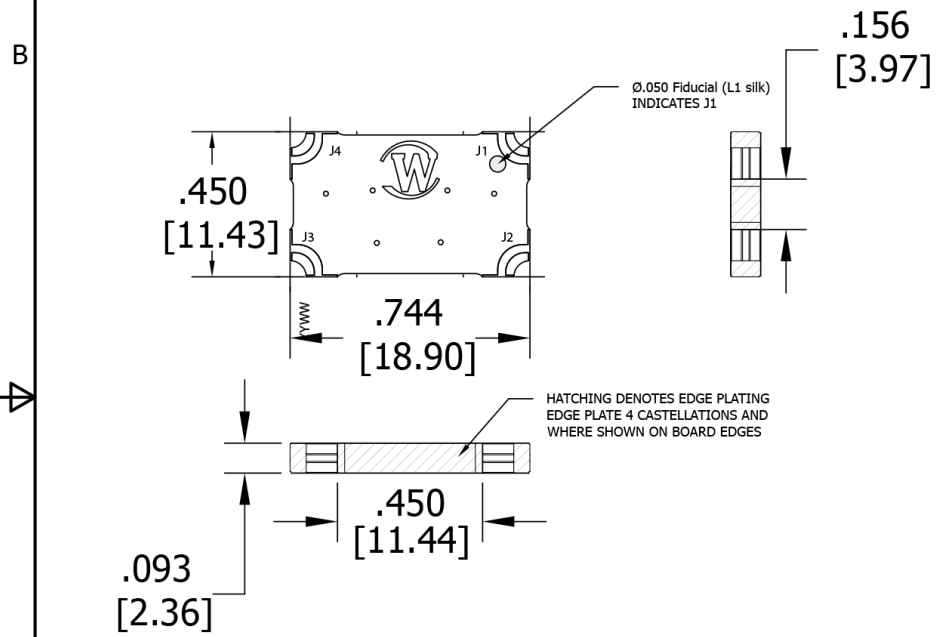


Phase Balance:



RESTRICTION ON USE, DUPLICATION OR DISCLOSURE OF PROPRIETARY INFORMATION
 This document contains proprietary information which is the sole property of Werlatone, Inc.

REVISION HISTORY			
REV	REVISION RECORD	DATE	APPROVED
-	Preliminary		
A	ECN9141	8/11/2016	MB
B	ECN9512	2/12/2018	CS
C	ECN9573	5/10/2018	CS



**DETAIL A (4X)
 SCALE 4:1**

<small>UNLESS OTHERWISE SPECIFIED</small> • INTERPRET DRAWING LAW MIL-STD-100 • DIMENSIONING PER ASME Y14.5M-2009 • PARENTHESES ARE IN INCHES [mm] • DIMENSIONAL LIMITS APPLY BEFORE PROCESSES • TOLERANCES: ANGLES ± 2° 3 PL ± .010 [.25] 2 PL ± .015 [.4]	DWN	DATE	WERLATONE SINCE 1965		17 Jon Barrett Rd Patterson, NY 12563		
	CHK	DATE					
	ENGR	DATE	TITLE				
	MFGR	DATE					
THIRD ANGLE PROJECTION		QA	DATE	SIZE	CAGE CODE	DWG NO	REV
		RLSE	DATE	A	28812	21441-500	C
				SCALE	2:1		SHEET 1 OF 1

Restriction on use, duplication, or disclosure of proprietary information. This document contains proprietary information which is the sole property of Werlatone, Inc. Werlatone, Inc. 17 Jon Barrett Road Patterson, NY 12563 T:(845)278-2220 F:(845)278-3440 sales@werlatone.com www.werlatone.com